

LED Highbay

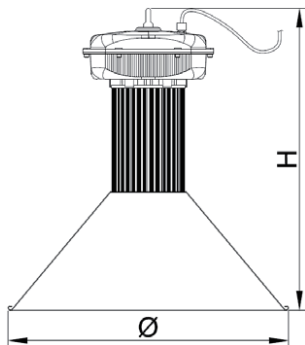
CE RoHS



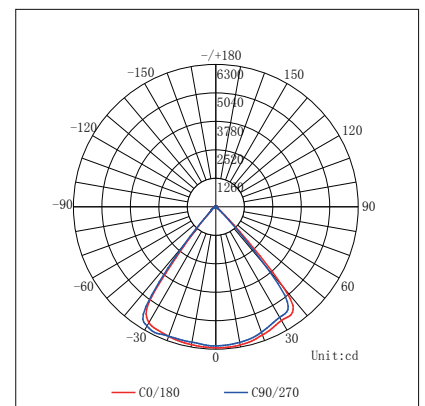
Technical Data Sheet

| PARAMETER | SPECIFICATION | | |
|--------------------|---------------|--------------------|---------------|
| Product Code | RHB080Y01(01) | RHB100Y01(01) | RHB150Y01(01) |
| Power Consumption | 80W | 100W | 150W |
| Size (mm) | φ450*435 | φ450*475 | φ450*475 |
| Lumen | 7200 | 9000 | 13500 |
| Efficacy | | 90lm/w | |
| I/P Voltage | | 100-240V, 50/60Hz | |
| Surge Protection | | 4KV | |
| Operating Temp. | | (-20 C) to (+45 C) | |
| Burning Hrs | | 30.000 | |
| CCT | | 6500K | |
| CRI | | >70 | |
| PF | | 0.9 | |
| LED Make | | Epistar | |
| Housing material | | Die cast Aluminum | |
| Beam Angle | | 80° | |
| Ingress Protection | | IP20 | |

Dimensions



Photometry



Follow us

